

QEP R7.5 50Hz 1p AVR CON ELR 12V

QEP Range

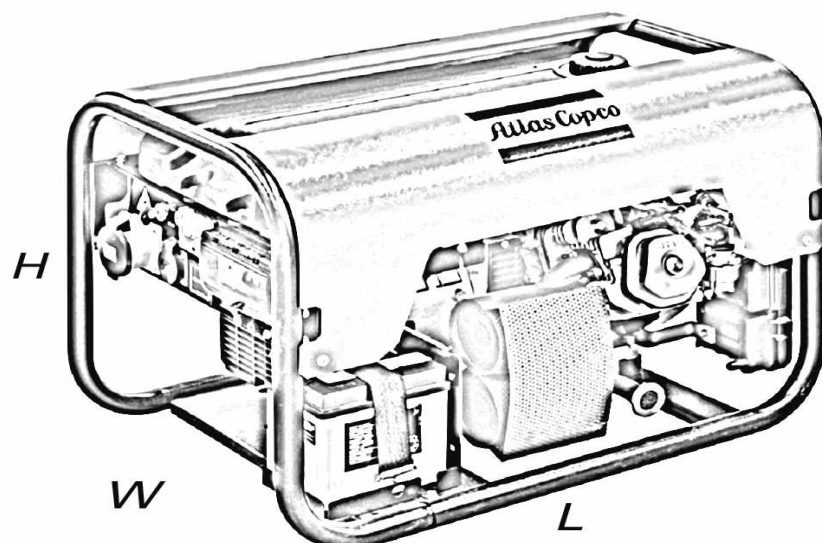


genset image for illustration purposes only

Technical data		
Voltage	(V)	230
Frequency	(Hz)	50
Fuel		Gasoline
Performance class		G1
Acoustic pressure LpA a 7 m	(dB(A) @7m)	69
Acoustic power LwA	(dB(A))	97

Mechanical structure		
Length (L)	(mm)	842
Width (W)	(mm)	523
Height (H)	(mm)	557
Weight	(kg)	88
Fuel tank capacity	(l)	18
Wheels and handles		Optional

Dimensions



Note: These dr.

Engine

General		
Engine Brand		Honda
Engine Model		GX390
R.P.M.		3000
Net Power	(kWm)	7.70
Fuel		Gasoline
No. of cylinders		1
Displacement	(cm ³)	389
Regulation type		Mechanic

Lubrication System		
Oil capacity	(l)	1.1
Engine Oil Guard		YES

Cooling System		
Cooling type		Air

Power ratings			
Prime	Prime	Standby	Standby
kW	kVA	kW	kVA
5.5	6.0	6.4	7.2
Power factor			0.9

Fuel consumption table

Load level	PRIME	Aut. (h)
	(L/h)	
75%	2.16	8.33
100%	2.87	6.27

Starting system		
Recoil		YES
Electric 12V		YES

Alternator

Alternator brand		NSM
Alternator model		KR100G AVR
IP alternator		IP23
Peak power 163°/27°	(kVA)	6,48
Poles		2
Excitation system		AVR
		Brushes
Efficiency at 100% 125°/40°	(%)	77

#N/A

Please, contact your local Atlas Copco Dealer for more information

QEP R7.5 50Hz 1p AVR CON ELR 12V2015EN3.0

Main features and options

Mains features

- Electrical key start (12V)
- Large fuel tank
- Engine Oil Guard
- Automatic Voltage Regulation (AVR)
- Magnetothermal protection
- Instrumentation, voltmeter, hourmeter
- Differential circuit breaker (ELR)
- Connector for remote start (CON)
- Sockets
- CE noise compliance

Sockets configuration

12Vdc outlet terminals	1
SCHUKO 230V 16A IP54	1
2P+T CEE 230V 32A IP44	1

Options

- Wheel kit
- ATS (Automatique Transfer Switch) with AMF (Automatique start on Mains Failure) including connector
- Remote Start and Stop Wireless with connector

Regulations:

The generator set has a CE Marking that includes the following directives:

- 2006/42/CE Machine Safety.
- 2006/95/CEE Low Voltage.
- 2004/108/CE Electromagnetic compatibility.
- 97/68/CE Gases and contaminating particles emissions.
- 2005/88/CE Noise emission in the environment by equipment for use outdoors.

Definitions

Prime Rating

PRIME POWER: Electrical power data available at a variable load without limits of hours per year. An overload of 10 % is allowed for 1 hour of every 12. In accordance with ISO 8528/1 (2005) – PRP

Standby

STANDBY POWER: Electrical power data at variable load in an emergency in accordance with standard ISO 8528/1 (2005) – ESP. Overloads of emergency power are not allowed.

Grupos Electrógenos Europa, S.A. is a certified company with ISO 9001, ISO 14001, OHSAS 18001 and PECAL

Atlas Copco reserves the right to modify any characteristic of their equipment without prior warning.

All products are designed and engineered in Zaragoza Competence Center

Weight and dimensions of a standard generator set.

Non-contractual document

Grupos Electrógenos Europa, S.A.

Central Offices:

Polígono pitarco II - Parcela 20

50450 Muel (Zaragoza) España

Tel.: +34 976 145 432

Fax.: +34 976 145 431

DISTRIBUTED BY:



Please, contact your local Atlas Copco Dealer for more information